

- Everpads was Founded in 1995

- The World-leading Machinery Parts Manufacturer.

# TO TOWARDS A BRIGHTER FUTURE

## Product<sup>™</sup> Catalogue

### Machinery Spare Parts Manufacturers

EVERPADS is devoted to manufacture all the high-value heavy equipment in one place so you can accomplish your construction project without any hassle.





## EVERPADS IS THE WORLD'S LEADING SPARE PARTS MANUFACTURER.

Our goal has always been, and will always be, to strengthen our clients' machinery through innovation, beginning with the industry's first bolt-on rubber track pads.

Mr. Leo Chiang founded EVERPADS in 1995 based on his invention of bolt-on track pads, utilizing his advanced knowledge of rubber-type products, especially on laminated wheels. Mr. Chiang realized that construction machinery's extensive use of rubber track pads required a unique formulation to make them more stable, less labor intensive to change, and improve cost-savings. As a result, EVERPADS' bolt-on track pads won industry applause, attracting competitors to follow suit.

# ABOUT US

EVERPADS Corporation.

### OUR BUSINESS PHILOSOPHY

“ **Tell me the name of your machine, and I can provide you with all the spare parts.** ”

Today, EVERPADS spans the globe with service in over 80 countries, branches in the U.S.A., China, and Holland, and dealerships in Korea, Australia, India, and Vietnam. The core of our business entails investing in research and development, offering the best prices and quality, and making cost-effectiveness a priority for our customers, supported by exceptional customer service.

Our superior product lines range include systems such as the Undercarriage System, Milling System, Shock Absorption System, Conveyor Systems (Paver and Cold Milling Machines), Compaction System, and Spreading System by equipment as follows:

- Cold Milling Machine (Cold Planer)
- Asphalt Paver
- Excavator
- Vibratory Hammer
- Vibratory Roller

EVERPADS is a world-recognized brand representing a prestigious, vertically integrated team with decades of manufacturing experience. Our industry standing is one of the many reasons our customers rely on us for quality parts and customized availability, including OEMs that count on us for our steady worldwide supply chain.

**EVERPADS is the preferred OEM manufacturer for over 80 percent of the world's construction machinery.**



# COLD MILLING MACHINE

In today's business climate, operators seek ways to boost efficiency while gaining sustainability benefits. It's why EVERPADS provides our customers with high-quality spare parts for their milling machine equipment, optimizing each spare part for performance and strength for reliable construction solutions. In addition, our parts minimize repair costs substantially with these three systems:

“EVERPADS provides 80 percent of the asphalt milling machine model parts for major brands, such as Wirtgen, Caterpillar, and more, who trust our manufacturing precision.”

**The E-Generation Milling System finetunes parts with even greater precision to include:**

Gen-E Milling Teeth

TH12 Quick-change Tool Holder

E-type Milling Drum

Available Customization

Milling System Accessories

**The Undercarriage System boosts productivity specific to heavy-duty construction projects and cold milling machines with parts**

Poly Track Pads

E30 Rubber Track Pads

Laminated Wheels

X-Type Track Chain

**A Conveyor System supports continuity along with exceptional loading capacity and stability with these individual parts:**

Conveyor Belt

Support Roller, including Belt Roller & Guide Roller

Driver Roller





01

# THE E-GENERATION MILLING SYSTEM

For Cold Milling Machine

## THE E-GENERATION MILLING SYSTEM

The EVERPADS E-Generation Milling System utilizes decades of research and development and on-site project intelligence to develop and optimize the elements of each part. This level of focus provides unparalleled precision in our parts, resulting in increased efficiencies, reduced frequency of repairs, and superior performance.

The following parts of the EVERPADS Milling System include Gen-E Milling Teeth, the TH12 Quick-Change Tool Holder, E-type Milling Drum with four options, and Milling System Accessories. As with all EVERPADS spare parts, customization is available, too.





# GEN-E MILLING TEETH

The E-Generation Milling System

Replacing milling teeth, the main point of contact with the surface, often becomes costly for asphalt milling operations. When a set of milling teeth suddenly breaks and stops the processes, unexpected downtime results in lost production revenue and reduces the milling business's profit margin.

**“Milling teeth are the major repair cost for asphalt milling machines, accounting for up to 60 percent of all repair costs per year.”**

Because the service life of milling teeth depends on several factors, including the teeth design, road condition (hardness), milling depth, and cutting speed, our improvements, illustrated and detailed below, use the latest engineering designs and technology.

# GEN-E MILLING TEETH

The E-Generation Milling System

## Tungsten Carbide Tips

Our tungsten carbide tip is made of German material, aiming for the best wear resistance rate compared to other well-known brands. The tip is operated with 30 tons of pressure atmosphere for accurately shaped tips to meet the cutting conditions; the teeth are constructed as a sharp and tough piece. Plus, the angle of attachment on the tool holder, high asphalt breaking performance, and low operating resistance is expected.



## Wear Plate

Patented wave-shaped design ensures better rotating performance and protection for the tool holder during the milling process.

## Milling Teeth Steel Body

Our patented wave-shaped design also ensures the rotating performance and better protection for the tool holder during the milling process. The forging carbide steel and specially designed layout also promise a longer lifespan of milling teeth.

## Spring (Clamping) Sleeve

The patented spring plate is made of high-quality steel. It can maintain a long-lasting constant tension. It will tightly hold the milling teeth, but also allow the milling teeth to rotate smoothly in the tool holder. It will not let the teeth fall off from the tool holder during the planing, effectively reducing the friction force and increasing wear resistance.

COLD MILLING MACHINE

ASPHALT PAVER

EXCAVATOR

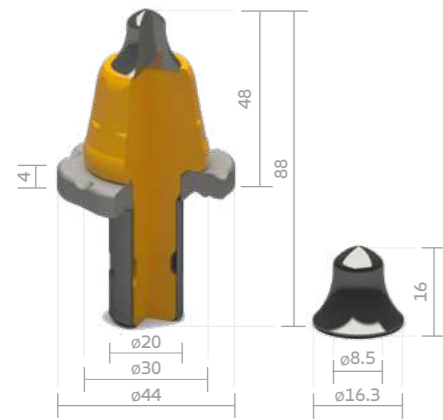
VIBRATORY HAMMER

VIBRATORY ROLLER



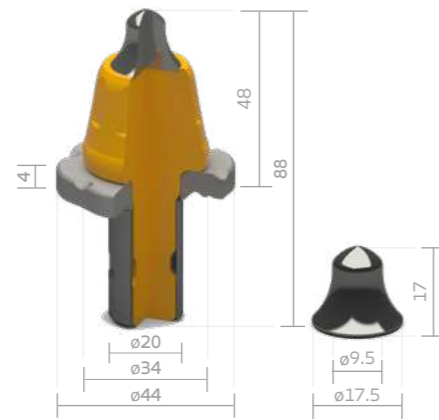


View more about our Gen-E milling teeth technology here.



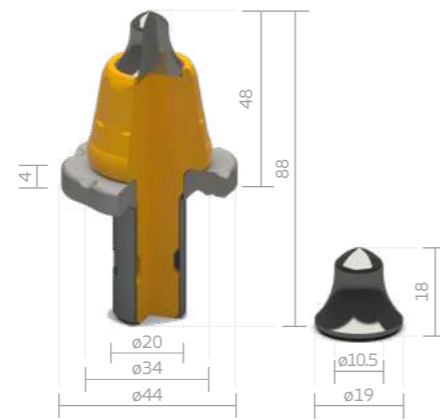
**T4W** PART NO. 13110636

Base diameter tip	Ø16.3 mm
Diameter shank	Ø20 mm
Height head	48 mm
Height pick	88 mm
Height tip	16 mm
Height wear plate	4 mm
Diameter wear plate	Ø44 mm
Upper diameter tip	Ø8.5 mm



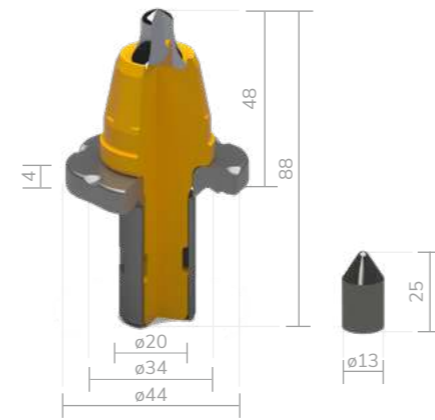
**T5W** PART NO. 1311007

Base diameter tip	Ø17.5 mm
Diameter shank	Ø20 mm
Height head	48 mm
Height pick	88 mm
Height tip	17 mm
Height wear plate	4 mm
Diameter wear plate	Ø44 mm
Upper diameter tip	Ø9.5 mm



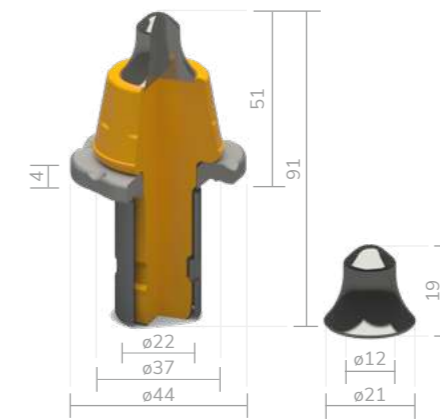
**T6W** PART NO. 1311010

Base diameter tip	Ø19 mm
Diameter shank	Ø20 mm
Height head	48 mm
Height pick	88 mm
Height tip	18 mm
Height wear plate	4 mm
Diameter wear plate	Ø44 mm
Upper diameter tip	Ø10.5 mm



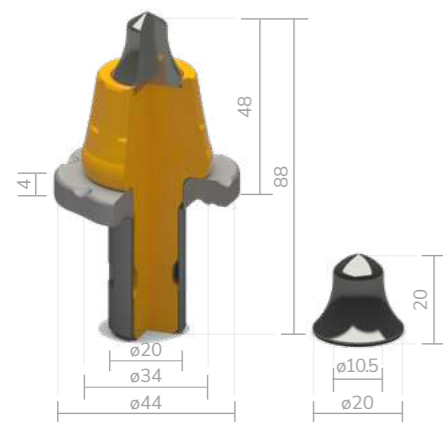
**T4WT1-13W** PART NO. 1311032

Base diameter tip	Ø25 mm
Diameter shank	Ø20 mm
Height head	48 mm
Height pick	88 mm
Height tip	13 MM
Height wear plate	4 mm
Diameter wear plate	Ø44 mm
Upper diameter tip	Ø13 mm



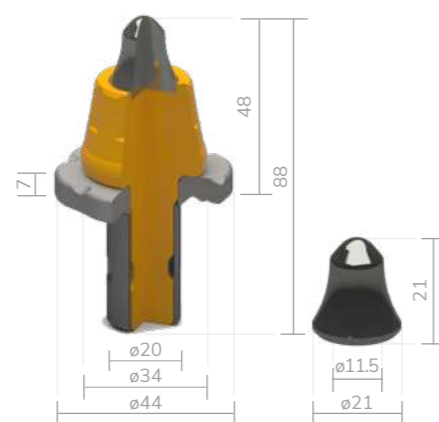
**T7WR-22** PART NO. 1311023

Base diameter tip	Ø19 mm
Diameter shank	Ø22 mm
Height head	51 mm
Height pick	91 mm
Height tip	21 mm
Height wear plate	4 mm
Diameter wear plate	Ø44 mm
Upper diameter tip	Ø12 mm



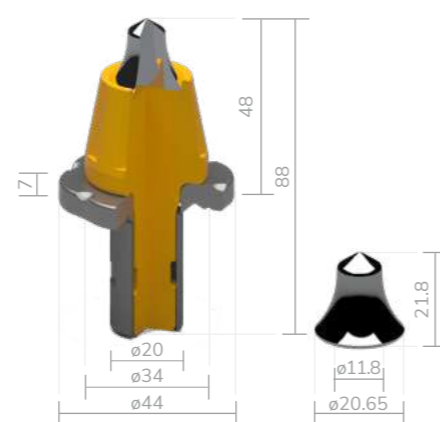
**T7WS** PART NO. 1311019

Base diameter tip	Ø20 mm
Diameter shank	Ø20 mm
Height head	48 mm
Height pick	88 mm
Height tip	20 mm
Height wear plate	4 mm
Diameter wear plate	Ø44 mm
Upper diameter tip	Ø10.5 mm



**T7WH** PART NO. 1311021

Base diameter tip	Ø21 mm
Diameter shank	Ø20 mm
Height head	48 mm
Height pick	88 mm
Height tip	21 mm
Height wear plate	4 mm
Diameter wear plate	Ø44 mm
Upper diameter tip	Ø11.5 mm



**T8WS** PART NO. 1311037

Base diameter tip	Ø21.8 mm
Diameter shank	Ø20 mm
Height head	48 mm
Height pick	88 mm
Height tip	20.65 mm
Height wear plate	7 mm
Diameter wear plate	Ø44 mm
Upper diameter tip	Ø11.8 mm

**DIFFERENT TYPES OF MILLING MACHINES RECOMMENDABLE**

	Small Milling Machines			Compact Milling Machine	Large Milling Machines
	0.25M	0.5M	1M REAR	-	-
<b>T4W</b>	●●	●●	●	○	○
<b>T5W</b>	○	●	●●	●	○
<b>T6W</b>	○	○	●	●●	●
<b>T7WS</b>	○	○	○	●	●●
<b>T7WH</b>	○	○	○	●	●●
<b>T8WS</b>	○	○	○	○	●
<b>T1-13W</b>	●●	●●	●●	●●	●
<b>T7WR-22</b>	○	○	○	●	●●

○ Conditionally Recommendable ● Recommendable ●● Highly Recommendable

COLD MILLING MACHINE

ASPHALT PAVER

EXCAVATOR

VIBRATORY HAMMER

VIBRATORY ROLLER





# GEN-E TOOL HOLDER SYSTEM

The E-Generation Milling System

## TH12 QUICK-CHANGE TOOL HOLDER

Because the milling drum is core to the machine, our expertise led us to look deeper into the impact of the tool holder and design the tool holder unique to its application. After years of testing and hearing customer feedback, we are proud to offer the EVERPADS TH12 Quick-Change Tool Holder solution, which features these innovations:

- Proprietary Tool Holder Self-Centering Solution
- Operational Reliability
- Greater Wear Volume

Overall, the proprietary EVERPADS TH12 Tool Holder has dramatically diminished maintenance efforts with these innovations.

# TH12 QUICK-CHANGE TOOL HOLDER

The E-Generation Milling System



View more about our TH12 quick-change tool holder technology here.



TH01



TH02



TH08



TH12N

Original parts sales services

Item	Application	Specification
TH01	Small or compact milling machines	For tools with a shaft of 20mm or 22mm in diameter
TH02		
TH03	Compact or large milling machines	
TH08		
TH11		
TH12N		
TH22		

COLD MILLING MACHINE

ASPHALT PAVER

EXCAVATOR

VIBRATORY HAMMER

VIBRATORY ROLLER





# E-TYPE MILLING DRUM

The E-Generation Milling System

EVERPADS leads the industry in its innovative approach to milling drums as a replacement part, setting a new standard with our extensive knowledge and intelligent manufacturing processes and making them a sustainable solution with these advantages:

- Cost less, by 30–50%.
- Automatic robotic arm implements every tool base welding with 3D arrangement modeling, eliminating errors and delivering strict accuracy tool base alignment and precise positioning.
- A broad range of drum types based on different cutting tool pitches.

# E-TYPE MILLING DRUM

The E-Generation Milling System



View more about our E-type milling drum technology here.



Category	Lenth	Model		
Small Milling Machines	0.35m / 0.5m	W50	W50H	W55H
		W50DC	W50R	W60R
	1m rear	W60	W100(L)	W100(H)
W100R		W130H	-	
Compact Milling Machines	-	W100F	W100CF	W120F
		W120CF	W130F	W130CF
		W150	W150CF	-
Large Milling Machines	-	W1500	W1900	W195
		W2000	W200	W200F
		W200H	W205	W207F(i)
		W210	W210X	W210F(i)
		W2100	PW215	W220
		W2200	W240CR	W250
		W380CR	-	-

As owners and operators face more unpredictable challenges in road construction, the EVERPADS E-type Milling Drum options also include available customization. In numerous projects, our customers have provided us with the dimensions for customized milling drums so that we can manufacture the precise fit for their machines.

COLD MILLING MACHINE

ASPHALT PAVER

EXCAVATOR

VIBRATORY HAMMER

VIBRATORY ROLLER





# EJECTOR

The E-Generation Milling System

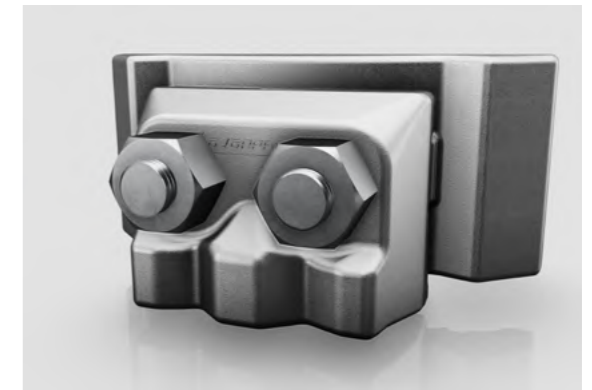
The EVERPADS wear-resistant ejector prolongs the service life of the milling drum for cold milling machines because its well-designed shape is more effective at removing milled road material, resulting in increased productivity and minimized project costs. Its patented shape has a claw on both sides, which gathers the materials together and prevents them from escaping the enclosed grip. Forged with wear-resistant alloy steel, the ejector also features a mounting receptacle to ease replacement and is built for easy reception of most milling machines to maximize productivity.



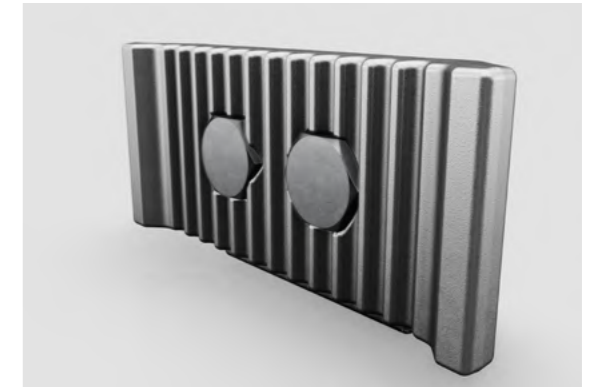
View more about our E-type milling drum technology here.

# EJECTOR

The E-Generation Milling System



Ejector 150\*100 Q235



Ejector 150\*100 Q235



Ejector 150\*100 Q235

COLD MILLING MACHINE

ASPHALT PAYER

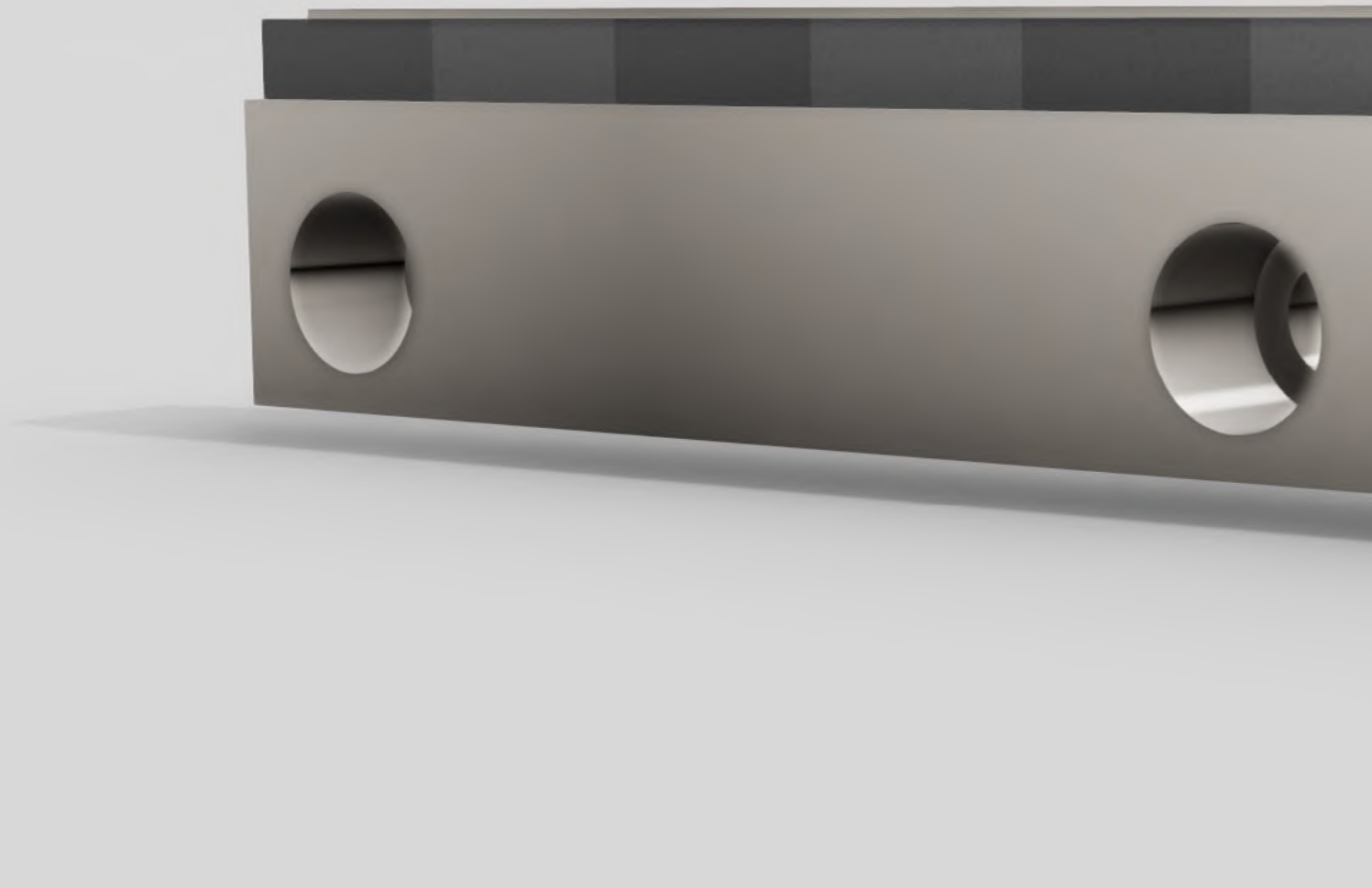
EXCAVATOR

VIBRATORY HAMMER

VIBRATORY ROLLER

	Ejector 150*100 Q235	Ejector 250	Ejector 250*108
OEM	2140636	"N/A"	2140635
ITEM	2030400010	2030400042	2030400005





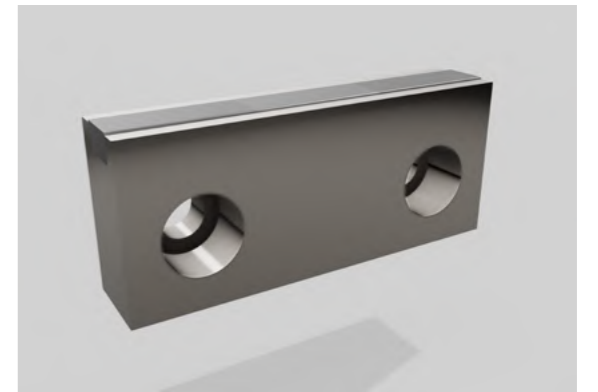
# SCRAPER BLADE

The E-Generation Milling System

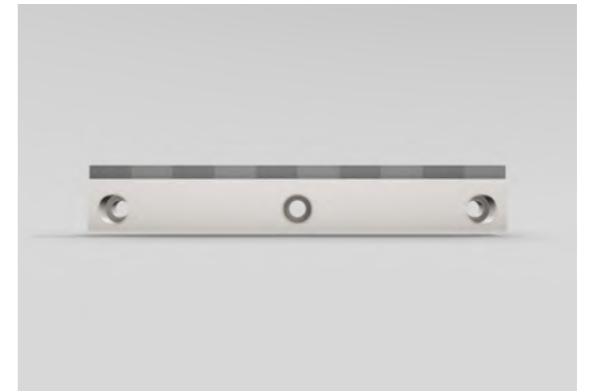
The scraper blade ensures a closed space in the milling drum's chamber, properly removing the milled road material and flattening the milled road surface with carbide-tipped scrapers. The material and the position of the hard alloy and the scraper's outline greatly improve performance since hard alloy can keep its shape at 500°C and maintain its hardness at 1000°C.

# SCRAPER BLADE

The E-Generation Milling System



Scraper Blades 248\*40\*20-middle



Scraper Blades 100\*40\*20-small



	Scraper Blades 100*40*20-small	Scraper Blades 248*40*20-left	Scraper Blades 248*40*20-middle	Scraper Blades 248*40*20-right
OEM	56731 146459	44638 146457	43408 146456	44639 146458
ITEM	2030500038 2030500002	2030500036 2030500017	2030500035 2030500016	2030500037 2030500018

COLD MILLING MACHINE

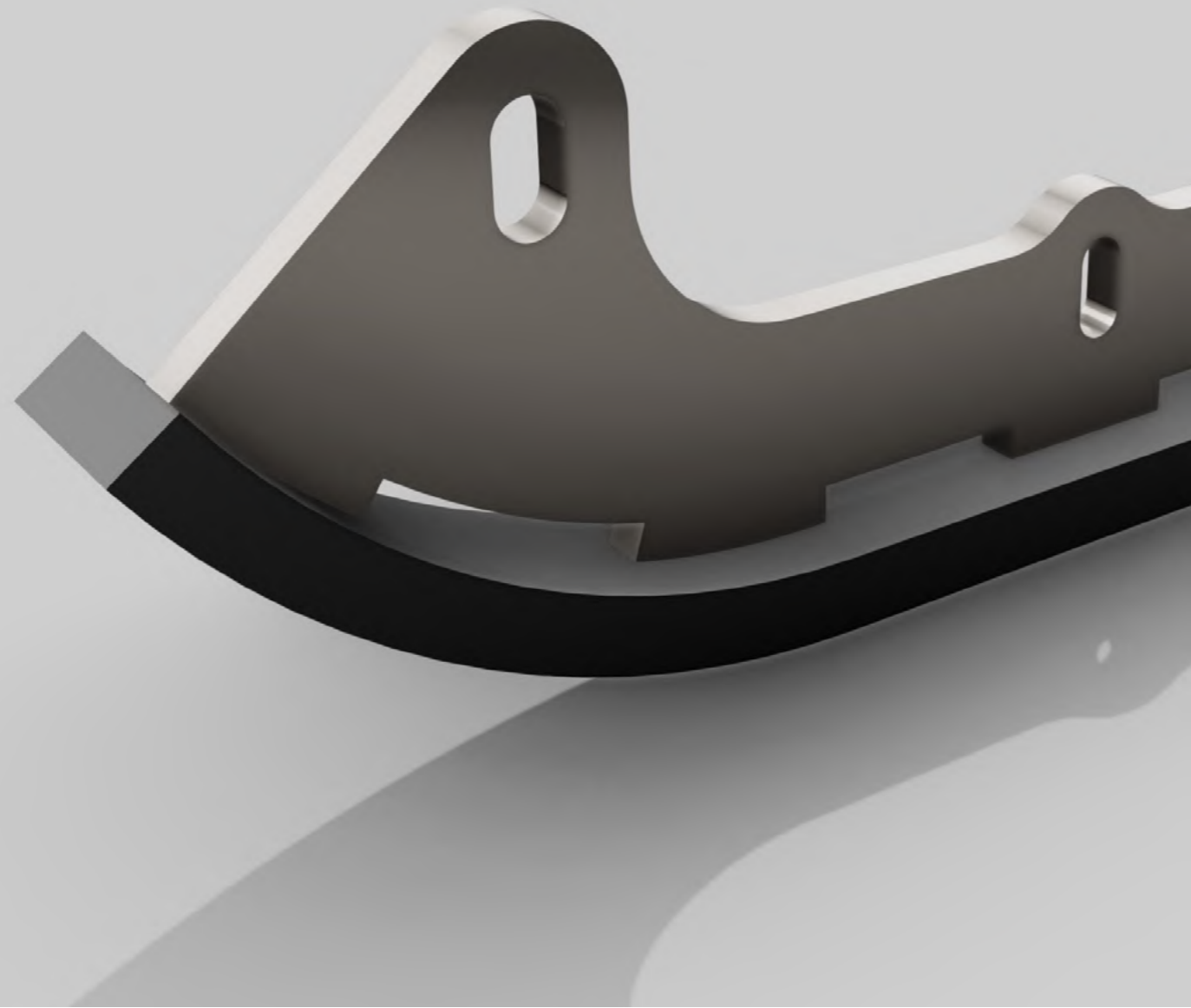
ASPHALT PAVER

EXCAVATOR

VIBRATORY HAMMER

VIBRATORY ROLLER





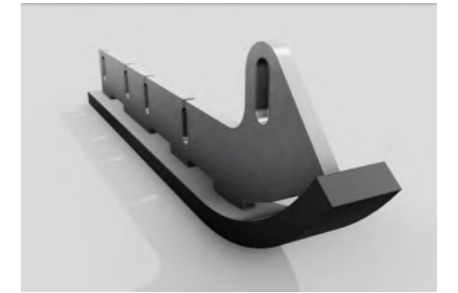
# PROTECTOR SKID

The E-Generation Milling System

To increase the longevity of the protector skid and minimize replacement costs, EVERPADS applies three layers of wear-resistant alloy material and adjusts the thickness of the front end. As a result, the optimized front head withstands higher impact and wear resistance when contacted with uneven road surfaces and provides our client with cost efficiencies and a long service life solution.

# PROTECTOR SKID

The E-Generation Milling System



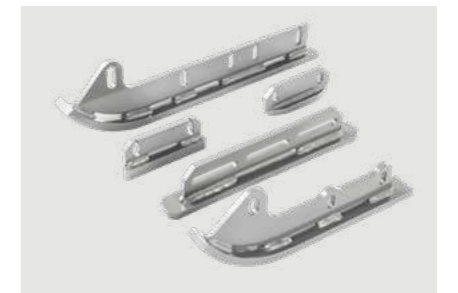
Protector Skid 50\*616



Protector Skid 50\*445



Protector Skid 50\*460



COLD MILLING MACHINE

ASPHALT PAVER

EXCAVATOR

VIBRATORY HAMMER

VIBRATORY ROLLER

Name	OEM	Item
Protector Skid 25*520	N/A	2030700019
Protector Skid 25*696	N/A	2030700018
Protector Skid 40*180	2069177	2030700002
Protector Skid 50*200	2111404	2030700005
Protector Skid 50*418	N/A	2030700020
Protector Skid 50*445	2106074	2030700004
Protector Skid 50*450	N/A	2030700021
Protector Skid 50*460	157828	2030700003
Protector Skid 50*616	155630	2030700001



03

# CONVEYOR SYSTEM

For Cold Milling Machine

## CONVEYOR SYSTEM

If the milling drum is the heart of the cold milling machine, then the conveyor system is its arms, requiring adaptability and accuracy specific to each equipment model and project's applications. As with our other system approaches, EVERPADS innovates at the component level to achieve overall product excellence, maximizing performance effectiveness.

### PRODUCT PARTS FOR THE CONVEYOR SYSTEM INCLUDE:

- **Conveyor Belt:** Offers the highest quality rubber materials with up to 5 layers specific to the cold milling machine make and model.
- **Support Roller, including Belt Roller, Guide Roller, and Drive Roller:** Prevents spillage, belt, and structural damage; decreases operational downtime; and provides high-energy efficiency despite loading pressure.
- **Return Roller:** Provides longer service life under high load pressure with high-quality alloy steel and the EVERPADS proprietary rubber formula.





# CONVEY-OR BELT

Conveyor System

EVERPADS takes great pride in our rubber products, and when it comes to the conveyor belt, continuity counts, as well as the utmost loading capacity and stability. Due to the high quality of the rubber raw material and the latest hot vulcanization technology, the conveyor belt is produced in one process, assuring a long service life. The Y-shape threads help to strengthen the entire structure that carries the milled material effectively out to the truck.

Additionally, we provide various specifications of conveyor belts for different machine models.

# CONVEYOR BELT

Conveyor System



Offers the highest quality rubber materials with up to 5 layers specific to the cold milling machine make and model.

Name	Model				Maker
Discharge conveyor 500*15380 Loading conveyor 800*4760 Loading conveyor 850*6040 Loading conveyor 850*6740 Discharge conveyor 850*15500 Discharge conveyor 1100 Loading conveyor 1100*7950 Discharge conveyor 1100*16250	W250	W250(i)	W2200	W240CR	WIRTGEN
	W240CR(i)	W380CR	W380CR(i)	W200F	
	W200F(i)	W210	W210F(i)	W207F(i)	
	210XP	W210(i)	W205	W215	
	W195	W200	W200(i)	W2000	
	W1900	W1500	2000DC	W200F	
	W200F(i)	W210XP	W200H	W200H(i)	
	W100	W100(i)	W60	W60(i)	
	W100R	W100R(i)	-	-	
	Conveyor Belt 850*6200	PL2000	PL2000S		
Conveyor Belt 850*6232	PM200	PM620			

COLD MILLING MACHINE

ASPHALT PAVER

EXCAVATOR

VIBRATORY HAMMER

VIBRATORY ROLLER





# SUPPORT ROLLER

Conveyor System

The EVERPADS Support Roller includes roller bearings with labyrinth seals to improve low friction that lengthens the conveyor system service life. The easily attachable idle pulley with plow groove optimizes the ideal conveyor efficiency, while the hardened bearings help maximize loading capacity.

# SUPPORT ROLLER

Conveyor System

## Support Roller

The EVERPADS Support Roller includes roller bearings with labyrinth seals to improve low friction that lengthens the conveyor system service life. The easily attachable idle pulley with plow groove optimizes the ideal conveyor efficiency, while the hardened bearings help maximize loading capacity.

## Belt Roller & Guide Roller

Our roller products instill stable operating guides, centering the conveyor belt and providing accurate guidance in stringent environments. In addition, the EVERPADS special rubber compound with low abrasion flow makes these rollers more wear-resistant, adding considerable value to the overall system.



## Belt Roller & Support Roller

Name	Model				Maker
	W2100	W1000F	W1200F	W1300F	
	W100CF	W100CF(i)	W120CF	W120CF(i)	
	W130CF	W130CF(i)	W100F	W100F(i)	
Belt roller B1000	W120F	W120F(i)	W130F	W130F(i)	
Belt roller A850	W200	W200 H	W200H(i)	W200(i)	
Belt roller B800	W200F(i)	W200F	W207F(i)	W210	
Belt roller B500	W210XP	W210F(i)	W210(i)	W195	WIRTGEN
Belt roller B600	W205	W215	W2000	W200H	
Support roller B600	W200H(i)	W100	W100(i)	W60	
Support roller B1000	W60(i)	W100R(i)	W120R(i)	W150(i)	
Support roller B850	W1900	W1500	KMA220(i)	W2200	
Support roller B800	W220	W250	W250(i)	W240CR	
Support roller B1100	W240CR(i)	W380CR	W380CR(i)	KMA220	

COLD MILLING MACHINE

ASPHALT PAVER

EXCAVATOR

VIBRATORY HAMMER

VIBRATORY ROLLER



## Guide Roller

Model				Maker
W500	W100CF	WX33:AA551200F	W200F	WIRTGEN
W50	W130CF	W1300F	W200F(i)	
W50 DC	W120CF	W1900	W207F(i)	
W50 DC(i)	W150CF	W1500	W210F(i)	
W55 H	W100R	W2000	W210XP	
W50R	W100R(i)	W2100	W220(i)	
W 50 R(i)	W100H	W2200	W250(i)	
W60	W100F	W195	W250	
W60(i)	W100F(i)	W205	KMA200	
W100	W120F	W215	W240 CR	
W150	W120F(i)	W210(i)	W240 CR(i)	
W150(i)	W130F	W210	W380 CR	
W100(i)	W130F(i)	W220	W380 CR(i)	
W100CF(i)	W120R	W200H	W150 CF	
W130CF(i)	W120R(i)	W200H(i)		
W120CF(i)	W130H	W200		
W150CF(i)	W1000F	W200(i)		

## Drive Roller

The EVERPADS cylindrical and patented driver roller uses reinforced rubber and special adhesive technology for longevity in large contact surface applications needing gripping friction during operation. The roller's steel supports stability while in use as the diamond-patterned surface effectively avoids asphalt adhesion.



Name	Model			Maker
Drive roller A800 Drive roller B500 Drive roller B850 Drive roller B1100	W250	W210(i)	W210 F(i)	WIRTGEN
	W250(i)	W195	W2000	
	W2200	W205	W200 H	
	W220	W215	W200 H(i)	
	W220(i)	W200	W100R	
	W240CR	W200(i)	W100R(i)	
	W240CR(i)	W200H	W1900	
	W380CR	W200H(i)	W1500	
	W380CR(i)	W200 F	KMA200	
	W210	W200 F(i)	KMA220	
	W210XP	W207 F(i)	KMA220(i)	

## Return Roller

The EVERPADS Return Roller, made of high-quality rubber material and stable steel structure, promotes a long service life for the cold milling machine even under high load pressure. Our roller's nine support bars ensure stable operations while its open design principle prevents asphalt adhesion. This rigid, intrinsic structure prevents the return roller from deforming in severe conditions.

### Key Features and Benefits:

- Stable operation**  
Features nine support bars.
- No asphalt adhesion**  
Shaped with an open design principle.
- Performs well in severe conditions**  
Won't deform due to its strict intrinsic structure.
- Patented heavy-duty rubber**  
Includes a special adhesive technology to boost its lifespan and more stress absorption.
- Guaranteed effective performance**  
Offer high precision and the best operation tolerance.

Name	Model				Maker
Return roller B1100 Return roller B850 Return roller B850 Return roller A800 Return roller B500	W60	W60(i)	W100	W100(i)	WIRTGEN
	W100R	W100R(i)	W120R	W120R(i)	
	W195	W1900	W1500	W200	
	W200(i)	W200H(i)	W2000	W2200	
	W205	W210	W210(i)	W210XP	
	W215	W250	W250(i)	KMA200	
	KMA220	KMA220(i)			

COLD MILLING MACHINE

ASPHALT PAVER

EXCAVATOR

VIBRATORY HAMMER

VIBRATORY ROLLER





04

# UNDERCARRIAGE SYSTEM

For Cold Milling Machine

## UNDERCARRIAGE SYSTEM FOR COLD MILLING MACHINES

EVERPADS, a global leader in spare parts, is recognized for our undercarriage system parts—many of which are industry firsts—including the bolt-on EVERPADS Poly Track Pads and E30 Rubber Track Pads. With decades of experience backed by millions of projects, our customers have gained extended service lives and enhanced performance using our system with their construction projects and machinery.

### CONTENTS.

Polyurethane (Poly) Track Pads	p. 34
E30 Rubber Track Pads	p. 36
Laminated Wheels	p. 38
X-Type Track Chain	p. 40
E-generation Track Roller	p. 42
Idler Roller	p. 44
Sprocket	p. 46





# EV POLY-URETHANE TRACK PADS

Undercarriage System

EVERPADS invented the first polyurethane (poly) track pads with a proprietary compound that extends property strength and optimizes traction, including better turning agility due to low friction, and makes the pads highly wear-resistant. These features give our poly pad products a service life operation of over 1,200 hours due to the high percentage of tear and abrasion resistance. Our high-quality standards ensure safer and more reliable productivity, tested by SGS third-party certifications.

# EV POLYURETHANE TRACK PADS

Undercarriage System



View more about our EV polyurethane track pads technology here.



Name	Item	Maker
Polyurethane Track Pads 260*120*50N	2010542005	
Polyurethane Track Pads 260*120*50	2010542001	
Polyurethane Track Pad 230*120*50	2010542006	
Polyurethane Track Pad 300*130*55	2010543001	
Polyurethane Track Pads 300*130*55N	2010543012	WIRTGEN CAT
Polyurethane Track Pad 300*125*52	2010543002	BITELLI DYNAPAC
Polyurethane Track Pad 350*140*55	2010543004	MARINI ROADTEC
Polyurethane Track Pad 300*115*40 CO-BO	2010543005	SANY
Polyurethane Track Pad 300*130*45CO-B2	2010543006	GOMACO BOMAG
Polyurethane Track Pad 350*140*55	2010543008	
Polyurethane Track Pad 365*135*60	2010543009	
Polyurethane Track Pad 320*130*45	2010543010	
Polyurethane Track Pad 400*120*50CO-B1	2010544001	

Learn more about EVERPADS Poly Track Pads for cold milling machines by viewing more information now.

COLD MILLING MACHINE

ASPHALT PAVER

EXCAVATOR

VIBRATORY HAMMER

VIBRATORY ROLLER





# E30 RUBBER TRACK PADS

Undercarriage System

EVERPADS poly pad products' high-quality standards ensure safer and more reliable productivity, tested by SGS third-party certifications. They are the ultimate track pads for cold milling machines and the first proprietary engineering-designed track pads with an industry-standard poly material, featuring:

- High tear and abrasion resistance formula
- Optimized traction compound
- Built-in plate patent design
- Chamfer edge patent design
- Bolt-on design

View more on the EVERPADS world-renowned rubber track pads.



View more about our E30 rubber track pads technology here.



Name	Item	Maker
Rubber Track Pad 230*120*55	2010532001	
Rubber Track Pad 260*120*65	2010532006	
Rubber Track Pad 260*120*50N	2010512015	
Rubber Track Pad 260*120*50-2	2010512024	
Rubber Track Pad 230*120*55	2010532001	
Rubber Track Pad 350*135*55-OLD	2010513011	
Rubber Track Pad 300*130*50	2010513038	
Rubber Track Pad 320*135*50	2010513039	
Rubber Track Pad 300*125*60 Pad	2010513040	
Rubber Track Pad 350*135*55	2010513049	
Rubber Track Pad 300*125*60 Pad	2010513062	
Rubber Track Pad 450*135*70	2010534007	WIRTGEN
Rubber Track Pad 230*120*65	2010532002	CAT
Rubber Track Pad 250*100*60	2010532003	BITELLI
Rubber Track Pad 260*120*55	2010532005	DYNAPAC
Rubber Track Pad 260*120*55	2010532005	MARINI
Rubber Track Pad 300*130*55	2010533006	ROADTEC
Rubber Track Pad 300*130*65	2010533007	SANY
Rubber Track Pad 350*140*70	2010533025	GOMACO
Rubber Track Pad 350*140*55	2010533028	BOMAG
Rubber Track Pad 300*120*55	2010533029	
Rubber Track Pad 400*135*65	2010534003	
Rubber Track Pad 450*125*65	2010534005	
Rubber Track Pad 450*135	2010534008	
Rubber Track Pad 300*130*55	2010543001	
Rubber Track Pad 350*135*55	2010533011	
Rubber Track Pad 350*135*70	2010533013	
Rubber Track Pad 260*120*65	2010532006	

Learn more about EVERPADS Poly Track Pads for cold milling machines by viewing more information now.

COLD MILLING MACHINE

ASPHALT PAVER

EXCAVATOR

VIBRATORY HAMMER

VIBRATORY ROLLER





# LAMINATED WHEEL

Undercarriage System

Our poly pads are thicker and longer-lasting, our poly pads also feature: feature the Chamfer edge patent design, which optimizes advanced quality and steering agility. The bolt-on design features make installation and removal easier, making it cost-efficient for construction companies.

EVERPADS poly pad products have a service life operation of over 1600 hours due to the high percentage of tear and abrasion resistance. Our high-quality standards ensure safer and more reliable productivity, tested by SGS third-party certifications.

# LAMINATED WHEEL

Undercarriage System



Model			Maker
W50H	W1200F	W100 CF(i)	WIRTGEN
W100	W1300F	W120 CF(i)	
W35DC	W100F	W130 CF(i)	
W35R(i)	W100F(i)	W1000 C	
W1000L	W120F(i)	W1000	
W1000F	W130F(i)		
	CAT1000		
	SM50		SHANTUI

COLD MILLING MACHINE

ASPHALT PAVER

EXCAVATOR

VIBRATORY HAMMER

VIBRATORY ROLLER





# X-TYPE TRACK CHAIN

Undercarriage System

Our track chains are designed for strength that can withstand up to 800 kN (over 176,300 pounds), eliminating failure during the project. Forged from the highest quality of alloy steel, characterized by high intensity, hardness, and excellent resilience, our track chains provide a longer lifespan than conventional-type products. EVERPADS' high-tech technique, known as the X-type, makes the

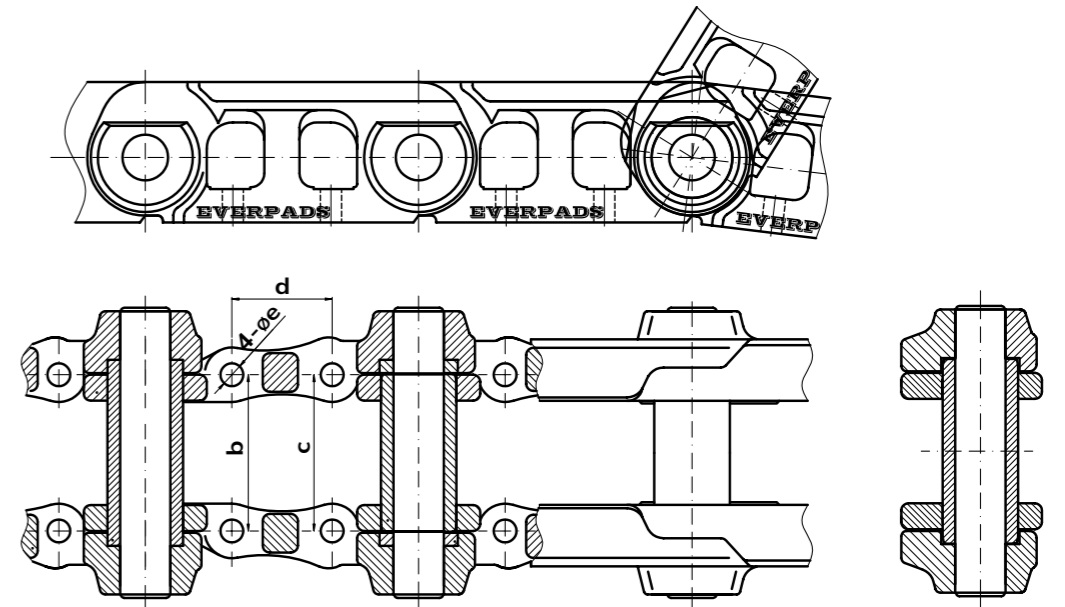
dimension of the track chain more accurate, ensuring quality components with this successful innovation. By extending the width, link tension increases. In addition, we connect the links with heat-treated steel pins to sustain the heavy loads and intense pressure. These refinements make our track links unique and far advanced over industry standards.

# X-TYPE TRACK CHAIN

Undercarriage System



View more about our X-type track chain technology here.



Pitch	b	c	d	e
P140-B1	86±0.4	86±0.4	52	Ø12.5
P155.6-B2	88.9	88.9	57.1	Ø13.1
P175.45-B5	144	125.4	60	Ø16.3
P155.6-D3	104.8	88.9	54.8	Ø14.3
P171-D4	108±0.4	108±0.4	60.32	Ø16.2





# E-GENERATION TRACK ROLLER

Undercarriage System

The EVERPADS E-generation Track Rollers apply a proprietary sealed system to secure the oil from unexpected leakage and provide a superior motion experience.

The heavy weight of the cold milling machine and the need for precise maneuverability make the quality of spare parts imperative. The EVERPADS Track Roller allows cold milling machines greater flexibility to move forward or backward; it can also prevent oil leakage and provide better motion efficiency, maintaining higher standards.



View more about our E-generation track roller technology here.

# E-GENERATION TRACK ROLLER

Undercarriage System



Model				Maker
W1000	W1000F	W1200F	W1300F	WIRTGEN
W1500	W1900	W130F	W100F	
W120F	W130F(i)	W100F(i)	W120F(i)	
W130CF	W100CF	W120CF	W100CF(i)	
W120CF(i)	W130CF(i)	W200F	W150F(i)	
W200F(i)	W200	W200(i)	W200H	
W200H(i)	W150	W150(i)	W150CF	
W150CF(i)	W2000	W205	W207F(i)	
W215	W210	W210XP	W210(i)	
W210F(i)	W2100	W220	W220(i)	
W2200	2200CR	W250	W250(i)	
W240CR	W380CR	W240CR(i)	W380CR(i)	
PM200		PM620	CAT	
PR525		PR525-7	CMI	
	WTL4500		TIANGONG	
	XM200KII		XCMG	
	MT9000		XINZHU	
	BG2000		ZOOMLION	

COLD MILLING MACHINE

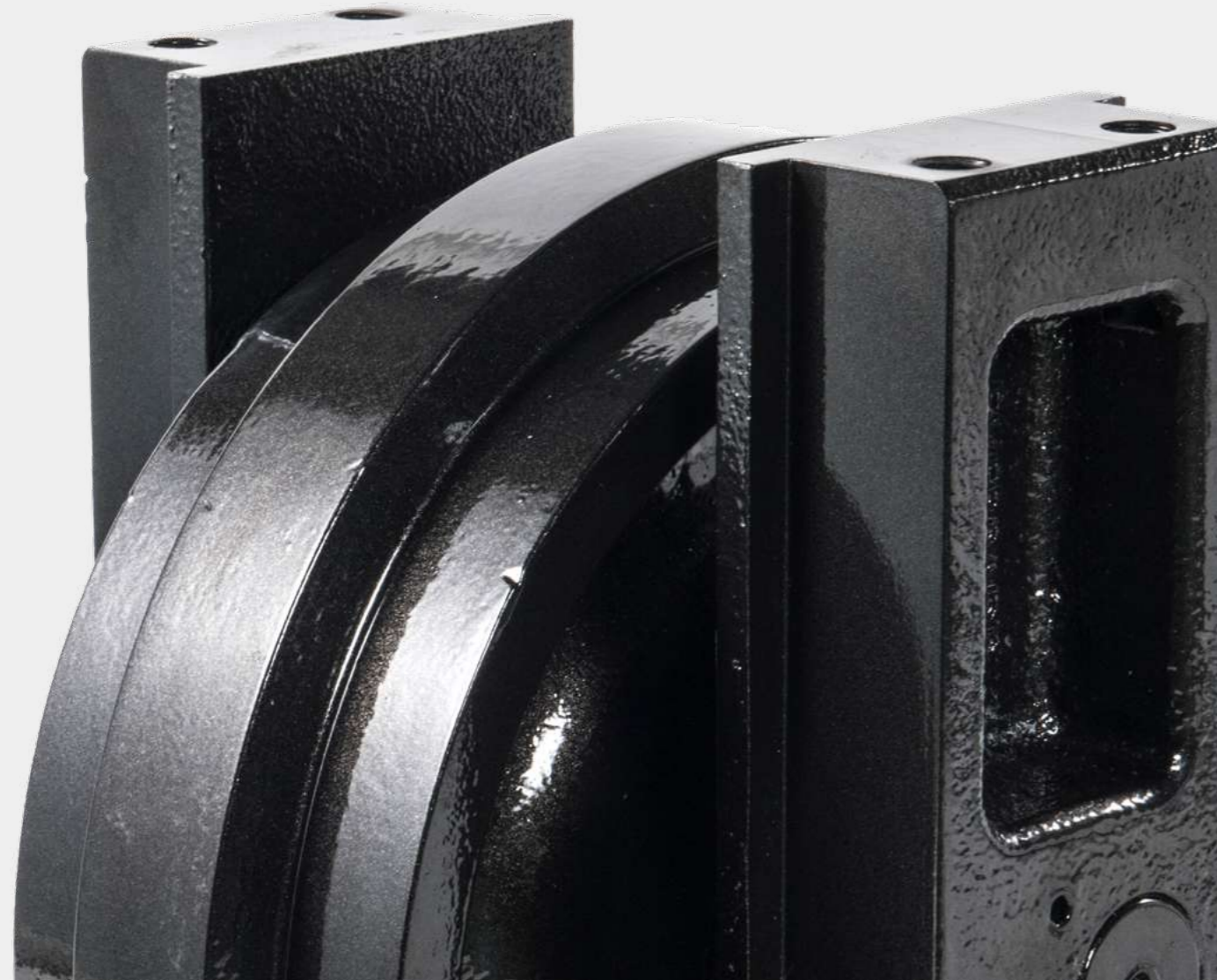
ASPHALT PAVER

EXCAVATOR

VIBRATORY HAMMER

VIBRATORY ROLLER





# IDLER ROLLER- ERCHINES

Undercarriage System

The EVERPADS Idler Roller, known for its excellent stability and outstanding performance on milling machines, are made with top high-quality casting steel with a proprietary sealed system and heat-treated surface, so they have long-lasting durability.



View more about our idler roller technology here.

# IDLER ROLLER- CHINES

Undercarriage System



COLD MILLING  
MACHINE

ASPHALT PAYER

EXCAVATOR

VIBRATORY  
HAMMER

VIBRATORY  
ROLLER

Name	Item	Model			Maker
Idler Assembly $\varnothing$ 317*240	2010900016	W150	W100F(i)	W130CF(i)	WIRTGEN
		W1000	W120F(i)	W150(i)	
		W1000F	W130F(i)	W150CF(i)	
		W1200F	W100CF(i)	W1900	
		W1300F	W120CF(i)		
Idler Assembly $\varnothing$ 450*321.4	2010900005	W2200	2200CR	W380CR	WIRTGEN
		W250	W240CR	W380CR(i)	
		W250(i)	W240CR(i)		





# SPROCKET

Undercarriage System

EVERPADS Sprockets are forged with high-quality casting steel to prevent damage from stray adhesive materials. The heat-treated material used makes them wear-resistant and long-lasting.



View more about our sprocket technology here.

# SPROCKET

Undercarriage System



Name	Item	Model				Maker
B1	2011000023	W1000F	W1200FT	W120(i)	W1500	WIRTGEN
		W1000FT	W1200L	W130(i)	W1900	
		W1000	W1300F	W150	W200	
		W1200F	W100(i)	W150(i)	W200(i)	
B5	2011000022	W2200	W250	W250(i)		
D3	2011000003	PR 450				CAT
D4	2011000026	2100VC	2100DC	2100DCR	W2100	WIRTGEN
		W220				

COLD MILLING MACHINE

ASPHALT PAVER

EXCAVATOR

VIBRATORY HAMMER

VIBRATORY ROLLER



# ASPHALT PAVER

Asphalt pavers are the heroes of highway construction, laying down a beautiful and precisely-engineered surface with ease. Without them, road projects would be more costly in both time and manpower to obtain an even grade along the entire expanse. EVERPADS uniquely optimizes the undercarriage system for asphalt pavers to perform constantly with higher efficiency with our world-renowned bolt-on E15 rubber track pad.





# UNDERCARRIAGE SYSTEM

For Asphalt Paver

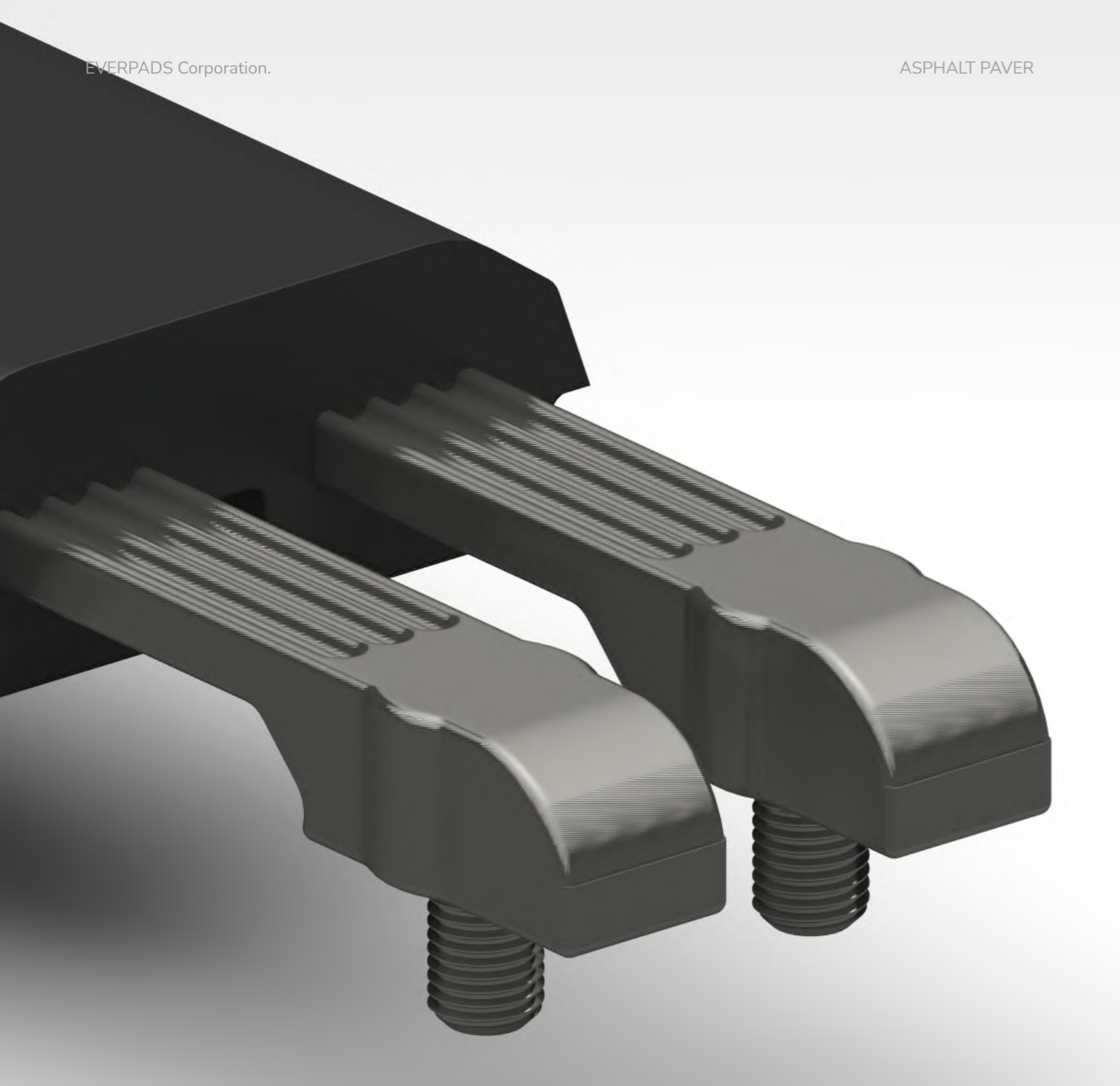
## UNDERCARRIAGE SYSTEM FOR ASPHALT PAVER.

The life of a paver undercarriage often results in high repair costs. With climate temperatures increasing for prolonged periods, extensive heat can strain equipment, leading to mechanical failures. Plus, pavers generate tremendous dust and debris, risking clogged or damaged equipment. Finally, the constant movement of the paver leads to wear and tear, especially when working with abrasive materials. The solution? The EVERPADS undercarriage system spare parts minimize or remove these frequent problems with innovative technologies that provide pavers with longer service life and the smoothest asphalt paving capabilities. Parts include:

### CONTENTS.

E15 Rubber Track Pads	p. 52
Laminated Wheel	p. 56
E-generation Track Roller	p. 58
X-Type Track Chain	p. 60
Idler Roller	p. 62
Sprocket	p. 64





# E15 RUBBER TRACK PADS

For Asphalt Paver

The EVERPADS Formula E15 Rubber Track Pad manages high-temperature and viscous asphalt particles in asphalt paving construction. With a high load capacity molecular structure, the rubber pads provide greater stability to perform more smooth paving operations.

- 3x the service life with low-heat generation technology
- E15 special rubber compound: heat-resistant & oil resistant
- Built-in plate patent design
- Chamfer edge patent design
- Bolt-on design

# E15 RUBBER TRACK PADS

For Asphalt Paver



View more about our E15 rubber track pads technology here.

## Formula E Technology

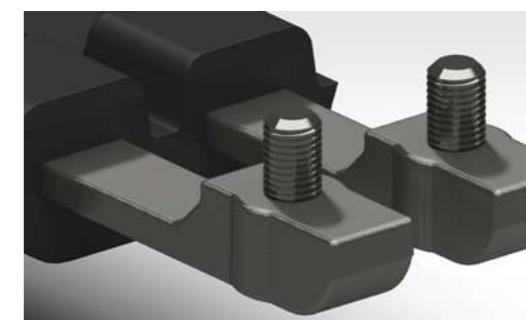
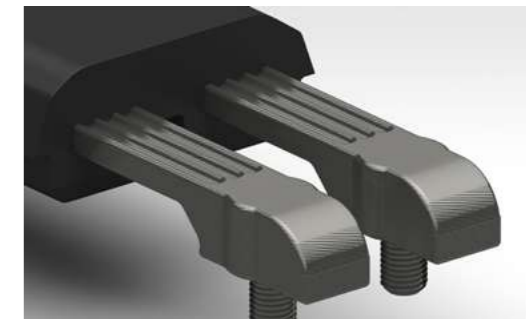
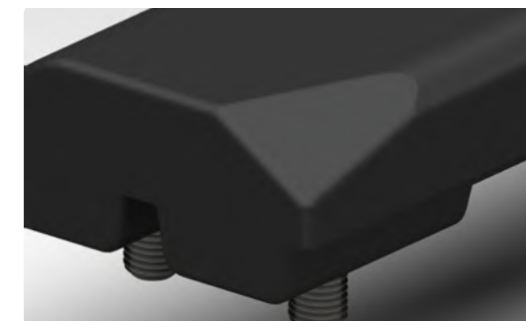
EVERPADS applies Formula E, one of our proprietary core technologies, to our rubber track pads, slowing down the rubber's aging (fatigue) speed. This technology results in longer service life and maintains excellent properties capabilities, especially for intense extracting construction projects.

## Patent Support Frame and Built-in Steel plate

EVERPADS rubber track pads, as a premier choice for the excavator undercarriage parts, provide extreme durability, a patented support frame, and a built-in steel plate—all engineered to substantially increase the strength of track pads and prevent any deformation.

## Bolt-on Excavator Track Pads

EVERPADS first invented bolt-on track pads, providing a more straightforward installation and cost-efficient solution. Our bolt-on track pads for excavators provide stability for operators who work on railroad construction or other rugged road surfaces.





Name	Item	Maker
Rubber Track Pad 135*85*40	2010511001	
Rubber Track Pad 180*95*22	2010511002	
Rubber Track Pad 200*80*35	2010512001	
	2010512002	
Rubber Track Pad 260*120*55	2010512005	
Rubber Track Pad 200*95*30	2010512012	
Rubber Track Pad 300*115*45	2010513025	
Rubber Track Pad 300*130*50	2010513055	
Rubber Track Pad 260*120*65	2010512006	
Rubber Track Pad 250*130*55	2010512008	HANTA
Rubber Track Pad 200*77*35	2010512011	ANTEC
Rubber Track Pad 260*120*50	2010512013	GILCREST
Rubber Track Pad 260*120*60	2010512014	INGERSOLL-RAND / FORTRESS ALLATT
Rubber Track Pad 260*120*50N	2010512015	MARINI
Rubber Track Pad 260*120*55-1	2010512019	BARBER GREENE
Rubber Track Pad 260*120*60-1	2010512020	HUACHEN-HUATON
Rubber Track Pad 260*120*65-1	2010512021	LIUGONG
Rubber Track Pad 260*120*45 CO-B1	2010512022	SCMC
Rubber Track Pad 260*120*45 CO-A	2010512023	ABG/VOLVO
Rubber Track Pad 260*120*50-2	2010512024	ZOOMLION
Rubber Track Pad 200*95*30	2010512028	CMI
Rubber Track Pad 285*110*41P	2010512029	CEDARAPIDS
Rubber Track Pad 300*100*25	2010513001	GOMACO
Rubber Track Pad 300*90*25	2010513002	SANY
Rubber Track Pad 300*100*35	2010513003	LEE BOY
Rubber Track Pad 300*100*25	2010513004	XCMG
Rubber Track Pad 300*130*50	2010513006	POWER CURBER
Rubber Track Pad 300*130*65	2010513008	AMMANN
Rubber Track Pad 350*135*55-OLD	2010513011	MILLER FORMLESS
Rubber Track Pad 360*60*25	2010513014	CMI
Rubber Track Pad 320*135*50	2010513015	GUNTER-ZIMMERMAN
Rubber Track Pad 320*135*58 CO-D3	2010513034	TESMEC
Rubber Track Pad 320*135*50	2010513039	ROADTEC
Rubber Track Pad 300*100*56	2010513017	BRARBER GREENE
Rubber Track Pad 300*130*45	2010513018	BLAWKNOX/
Rubber Track Pad 300*130*55	2010513023	INGERSOLL-RAND
Rubber Track Pad 300*130*50 CO-B2	2010513031	APOLLO

Name	Item	Maker
Rubber Track Pad 320*135*58 CO-B2	2010513033	
Rubber Track Pad 300*130*50	2010513038	HANTA
Rubber Track Pad 350*130*50	2010513047	ANTEC
Rubber Track Pad 350*135*55	2010513049	GILCREST
Rubber Track Pad 300*130*50 CO-D3	2010513052	INGERSOLL-RAND / FORTRESS ALLATT
Rubber Track Pad 400*100*45	2010514001	MARINI
Rubber Track Pad 450*125*65	2010514003	BARBER GREENE
Rubber Track Pad 450*135*70	2010514005	HUACHEN-HUATON
Rubber Track Pad 450*150*40	2010514006	LIUGONG
Rubber Track Pad 400*120*65B1	2010514007	SCMC
Rubber Track Pad 400*135*50	2010514012	ABG/VOLVO
Rubber Track Pad 450*135*70	2010534007	ZOOMLION
Rubber Track Pad 450*135*50	2010514013	CMI
Rubber Track Pad 400*135*60	2010514014	CEDARAPIDS
Rubber Track Pad 400*135*60-B2	2010514015	GOMACO
Rubber Track Pad 400*135*50-B2	2010514016	SANY
Rubber Track Pad 400*135*50	2010514017	LEE BOY
Rubber Track Pad 400*135*65-B2	2010514019	XCMG
Rubber Track Pad 450*140*50	2010514020	POWER CURBER
Rubber Track Pad 260*120*55	2010532005	AMMANN
Rubber Track Pad 260*120*65	2010532006	MILLER FORMLESS
Rubber Track Pad 260*120*65	2010533011	CMI
Rubber Track Pad 300*115*45	2010513025	GUNTER-ZIMMERMAN



COLD MILLING MACHINE

ASPHALT PAVER

EXCAVATOR

VIBRATORY HAMMER

VIBRATORY ROLLER





# LAMINATED WHEEL

For Asphalt Paver

Our poly pads are thicker and longer-lasting, our poly pads also feature: feature the Chamfer edge patent design, which optimizes advanced quality and steering agility. The bolt-on design features make installation and removal easier, making it cost-efficient for construction companies.

EVERPADS poly pad products have a service life operation of over 1600 hours due to the high percentage of tear and abrasion resistance. Our high-quality standards ensure safer and more reliable productivity, tested by SGS third-party certifications.

# LAMINATED WHEEL

For Asphalt Paver



Model				Maker
PL350T				DYNAPAC
SUPER 1103-2	SUPER 1303-3(i)	SUPER 1603-2	SUPER 1803-2	VOGELE
SUPER 1303-2	SUPER 1203	SUPER 1603-3	SUPER 1703-3	
SUPER 1103-3	SUPER 1803	SUPER 1603-3(i)	SUPER 1703-3(i)	
SUPER 1103-3(i)	SUPER 1603	SUPER 1803-1	SUPER 1803-3	
SUPER 1303-3	SUPER 1603-1	SUPER 1603-2	SUPER 1803-3(i)	
BB642	BB650		BITELLI	
SAP45ET				SANY
BM800P				BOMAG
WLT6000B				DINGSHENG
TITAN 473	TITAN 6870		ABG/VOLVO	
NFB6W1				NIIGATA FINISHER

COLD MILLING MACHINE

ASPHALT PAVER

EXCAVATOR

VIBRATORY HAMMER

VIBRATORY ROLLER





# E-GENERATION TRACK ROLLER

For Asphalt Paver

Track rollers need to handle increased load capacity to avoid bending and breakage. The EVERPADS Track Roller applies the E-generation technology as well as introduces a new core feature, our proprietary lubrication sealed system, along with its welded high-quality alloy steel that is wear-resistant, providing durability, stability, and longevity for asphalt pavers that must deal with abrasive, hot pavement mixes.



View more about our E-generation track roller technology here.

# E-GENERATION TRACK ROLLER

For Asphalt Paver



Item	Maker
TITAN 411	
TITAN 422	
TITAN 423	ABG
TITAN 111	
TITAN 525	
AFT501	AMMANN APOLLO
BB681C 000054	BITELLI
F182	
F182	DYNAPAC
F141	
PL2000	
SM2000	SANY
HA60C	SUMITOMO
SUPER 1600	
SUPER 1600-1	VOGELE
SUPER 1600-2	
SUPER 1600-3	

Item	Maker
SUPER 1800-1	
SUPER 1800-2	
SUPER 1800-2 SJ	
SUPER 1800-3	
SUPER 1800-3(i)	
SUPER 1803	
SUPER 1600-1	
SUPER 1600-3(i)	
SUPER 1800-3 SJ	VOGELE
SUPER 800	
SUPER 700	
SUPER 800-3 (i)	
SUPER 700-3 (i)	
SUPER 800-3	
SUPER 700-3	
SUPER 600	
ABG7820	VOLVO

COLD MILLING MACHINE

ASPHALT PAVER

EXCAVATOR

VIBRATORY HAMMER

VIBRATORY ROLLER





# X-TYPE TRACK CHAIN

For Asphalt Paver

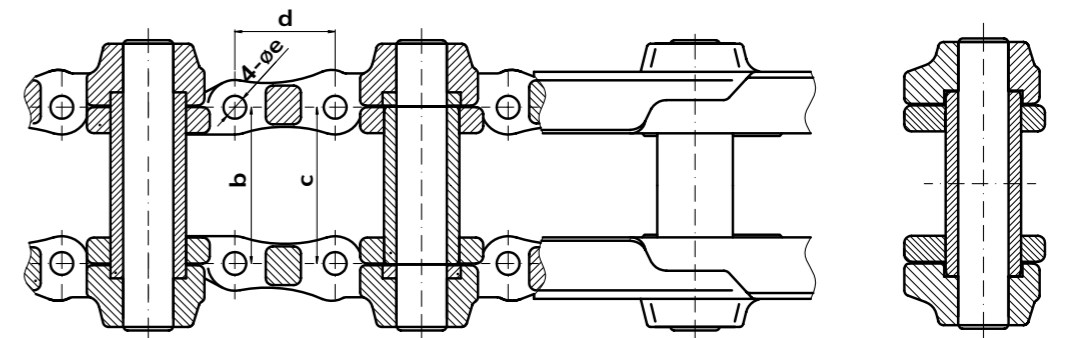
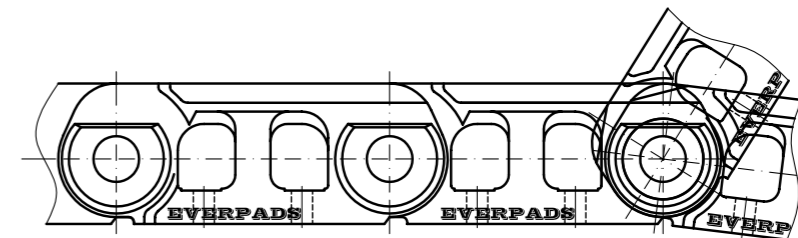
If regular maintenance doesn't occur with the undercarriage, small components may incur deformity, like a stretched chain. The EVERPADS X-Type Track Chain for Asphalt Pavers makes all dimensions precisely matched for the accuracy and stability of the track chain, and our heat treatment technology makes the material hardness difficult to deform. Our track chains are forged from the strongest alloy steel materials to adjust the material composition to meet precise asphalt paver applications.

# X-TYPE TRACK CHAIN

For Asphalt Paver



View more about our X-type track chain technology here.



Pitch	b	c	d	e
P140-B1	86±0.4	86±0.4	52	Ø12.5
P155.6-B2	88.9	88.9	57.1	Ø13.1
P175.45-B5	144	125.4	60	Ø16.3
P155.6-D3	104.8	88.9	54.8	Ø14.3
P171-D4	108±0.4	108±0.4	60.32	Ø16.2





# IDLER ROLLER

For Asphalt Paver

The EVERPADS Idler Roller for asphalt pavers are engineered for stable production quality, high wear resistance, smooth rotation, and other attributes that provide good rolling coefficient and generate no heat, increasing the lifespan with this application.

# IDLER ROLLER

For Asphalt Paver



View more about our idler roller technology here.



	Item	Maker
B1	SP150	WIRTGEN
	SP15(i)	
	SUPER 1600-1	
	SUPER 1800-1	
	SUPER 1600-2	
	SUPER 1800-2	
	SUPER 1800-2 SJ	VOGELE
	SUPER 1600-3	
	SUPER 1800-2HD	
	SUPER S 1800-3	
	SUPER 1800-3	
	SUPER S 1800-3(i)	
SUPER S1800-3 SJ		

COLD MILLING MACHINE

ASPHALT PAVER

EXCAVATOR

VIBRATORY HAMMER

VIBRATORY ROLLER





# SPROCKET

For Asphalt Paver

The EVERPADS Sprocket product outlasts any conventional surface hardened sprockets because it undergoes proper heat treatment and exceeds OEM standards. Our sprockets are not affected by cold, humidity, or heat.



View more about our sprocket technology here.

# SPROCKET

For Asphalt Paver



Item	Maker
2011000019	ABG
2011000040	BITELLI
2011000046	SANY
2011000044	SUMITOMO
2011000039	
2011000018	
2011000040	VOGELE
2011000002	
2011000017	
2011000037	VOLVO

COLD MILLING MACHINE

ASPHALT PAVER

EXCAVATOR

VIBRATORY HAMMER

VIBRATORY ROLLER





# EXCAVATOR

Excavators face many challenges in everyday road construction, working on various terrains, such as asphalt roads, railroad tracks, and sharp object surfaces. These environments require spare parts to withstand all conditions, whether a 2-ton or 25-ton heavy excavator machine, with an undercarriage system to include:





01

# UNDERCARRIAGE SYSTEM

For Excavator

## UNDERCARRIAGE SYSTEM FOR EXCAVATORS.

The EVERPADS Undercarriage System for excavators consists of parts engineered to increase strength and prevent deformation, such as the E22 Rubber Track Pads.

### CONTENTS.

E22 Rubber Track Pads	p. 68
X-Type Track Chain	p. 72
E-generation Track Roller	p. 74
Idler Roller	p. 76
Sprocket	p. 78





# E22 RUBBER TRACK PADS

Undercarriage System

## E22 RUBBER TRACK PADS

The E22 formula rubber track pads for excavators work on all road conditions, including rugged surfaces and unforeseen environments. Our advanced cut-resistant rubber molecular structure keeps rubber pads intact—even after scrapes from sharp objects.

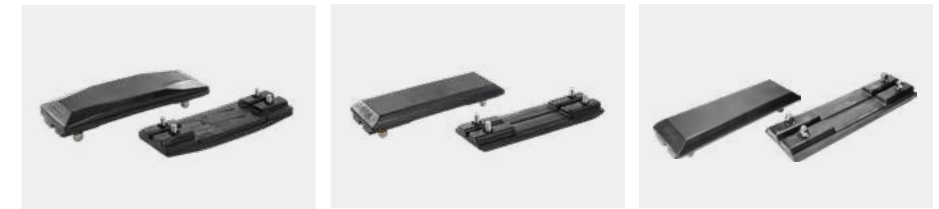
- 3x the service life with low-heat generation technology
- E22 special rubber compound: cut-resistant and tear-resistant
- Built-in plate patent design
- Chamfer edge patent design
- Bolt-on design

# E22 RUBBER TRACK PADS

Undercarriage System



View more about our E22 rubber track pads technology here.



400\*120\*50M

450\*136\*50M

450\*136\*50M

Name	Item
Rubber Track Pad 230*70*45	2010502001
Rubber Track Pad 230*70*45	2010502002
Rubber Track Pad 230*70*45-1	2010502003
Rubber Track Pad 300*90*36	2010503001
Rubber Track Pad 320*77*35	2010503005
Rubber Track Pad 350*120*45M	2010503003
Rubber Track Pad 355*90*37	2010503004
Rubber Track Pad 400*100*45	2010504001
Rubber Track Pad 400*100*43B0	2010504002
Rubber Track Pad 400*120*50	2010504004
Rubber Track Pad 400*120*50M	2010504005
Rubber Track Pad 450*105*55	2010504006
Rubber Track Pad 450*105*65	2010504007
Rubber Track Pad 450*110*50	2010504008
Rubber Track Pad 450*110*45B2	2010504009
Rubber Track Pad 450*120*65B1	2010504010
Rubber Track Pad 450*120*50M	2010504011
Rubber Track Pad 450*136*50	2010504012

COLD MILLING MACHINE

ASPHALT PAVER

EXCAVATOR

VIBRATORY HAMMER

VIBRATORY ROLLER



Name	Item
Rubber Track Pad 400*120*65B1	2010504013
Rubber Track Pad 450*136*50M	2010504014
Rubber Track Pad 450*136*50	2010504015
Rubber Track Pad 400*100*45	2010504016
Rubber Track Pad 400*120*50M	2010504017
Rubber Track Pad 500*105*80	2010505001
Rubber Track Pad 500*110*50	2010505002
Rubber Track Pad 500*115*50B2	2010505003
Rubber Track Pad 500*147*80	2010505005
Rubber Track Pad 500*147*80S	2010505006
Rubber Track Pad 500*160*80	2010505007
Rubber Track Pad 500*140*80	2010505008
Rubber Track Pad 500*135*55	2010505009
Rubber Track Pad 500*105*60B1	2010505010
Rubber Track Pad 500*105*45	2010505012
Rubber Track Pad 500*165*65	2010505013
Rubber Track Pad 450*136*50M	2010504014
Rubber Track Pad 500*165*65D4-29	2010505014
Rubber Track Pad 500*165*65D4-42	2010505015
Rubber Track Pad 500*164*82	2010505016
Rubber Track Pad 500*166*80S	2010505017
Rubber Track Pad 500*135*55	2010505018
Rubber Track Pad 600*105*62	2010506001
Rubber Track Pad 600*105*60B1	2010506002
Rubber Track Pad 600*110*55S	2010506003
Rubber Track Pad 600*110*55	2010506005
Rubber Track Pad 600*110*50-B2	2010506006
Rubber Track Pad 600*140*80	2010506007
Rubber Track Pad 600*145*80	2010506010
Rubber Track Pad 600*140*80M	2010506008
Rubber Track Pad 600*140*95	2010506009
Rubber Track Pad 600*145*80M	2010506011
Rubber Track Pad 600*160*80	2010506012
Rubber Track Pad 600*160*80S	2010506013
Rubber Track Pad 600*166*80	2010506014
Rubber Track Pad 600*166*80S	2010506015
Rubber Track Pad 600*145*80S	2010506017
Rubber Track Pad 600*166*85	2010506018

Name	Item
Rubber Track Pad 700*140*80	2010507001
Rubber Track Pad 700*145*80	2010507002
Rubber Track Pad 700*150*80	2010507003
Rubber Track Pad 700*166*85	2010507005
Rubber Track Pad 750*166*85	2010507006
Rubber Track Pad 710*195*140	2010507007
Rubber Track Pad 700*166*82A	2010507008
Rubber Track Pad 800*166*85	2010508004
Rubber Track Pad 800*140*80	2010508005
Rubber Track Pad 600*110*55(2006/07)	2010508006
Rubber Track Pad	2010508007
Rubber Track Pad 800*140*80-1	2010508008
Rubber Track Pad 800*140*80-2	2010508009
Rubber Track Pad 850*180*80	2010508010

Maker				
AIRMAN	ECOMAC	IWAFUJI	ROSSI	O & K
ATLAS	EUROCAT	JCB	SCHAEFF	PEL-JOB
BARALDI	EUROCOMACH	JOHN DEERE	SILLA	TANAKA
BENATI	EUROTOM	KAIDI	SUMITOMO	YAMAGUCHI
BENFRA	EUROTRACH	KOBELCO	TAKEUCHI	HYUNDAI
BOBCAT	FAI	KOMATSU	TEKNA	KATO
CAR MIX	FERMEC	KUBOTA	THOMAS	ABG
CASE	FIAT-HITACHI	LIBRA	UTEX	VOLVO
CAT	FURUKAWA	MANITOU	VENIERI	AICH CORPORTATION
CAT MITSUBISHI	GHEL	MASSEY FERGUSON	YANMAR	S&B800
CHIEFTAIN	HAINZL	MAXIMA	YGRY	TADANO
CHIKUSUI	HANIX	MESSERSI'	YUCHAI	TEREX
CME	HINOWA	NAGANO	ZEPPELIN	DOOSAN
COMET-IMECA	HITACHI	NISSAN	BONNE ESPERANCE	LIEBHERR
DAEWOO	HYDROMAC	PAZZAGLIA	FAI	TRENCOR
DODICH	IHI	FZ120	HOKUETSU	KOMATSU
DRAGO SWISS	IMEF	PICCINI	MACMOTER	SAMSUNG
DYNAPAC	IMER I. H. I.	ROCK	NEUSON	-

COLD MILLING MACHINE

ASPHALT PAVER

EXCAVATOR

VIBRATORY HAMMER

VIBRATORY ROLLER





# X-TYPE TRACK CHAIN

Undercarriage System



View more about our X-type track chain technology here.

COLD MILLING MACHINE

ASPHALT PAVER

EXCAVATOR

VIBRATORY HAMMER

VIBRATORY ROLLER



# X-TYPE TRACK CHAIN

## Undercarriage System

When it comes to excavators, track chains require a higher standard of precision for these crawler-type machines. The EVERPADS X-Type Track Chain, forged from the highest quality of alloy steel, is characterized by its high intensity, hardness, and excellent resilience. Plus, our track chains provide a longer lifespan than conventional-

type products. EVERPADS' high-tech technique, known as the X-type, makes the dimension of the track chain more accurate, ensuring quality components with this successful innovation.

Pitch	b	c	d	e
P140-B1	86±0.4	86±0.4	52	Ø12.5
P155.6-B2	88.9	88.9	57.1	Ø13.1
P175.45-B5	144	125.4	60	Ø16.3
P155.6-D3	104.8	88.9	54.8	Ø14.3
P171-D4	108±0.4	108±0.4	60.32	Ø16.2





# E-GENERATION TRACK ROLLER

Undercarriage System

Excavators, no matter the size, from mini to standard/full-sized, need accuracy and consistency to maneuver in any environment. The EVERPADS E-generation Track Roller makes this possible, effectively carrying most heavy-duty road machine weight through the designed tracks to the ground and preventing premature failure of the track.

# E-GENERATION TRACK ROLLER

Undercarriage System



View more about our E-generation track roller technology here.



Model							Maker
M51220AA			M51221AA			AMMANN	
CK38							CASE
325CL	325BL 8RR	325DL LAL	311B 8GR	312D FBJ	312DL KES	E110B 5GK	
325CL BMM	325BLN 8FN	325DL MCL	311B 8HR	312D HCW	312DL LSW	E110B 8MF	
320BS 5MS	325CLBMM	325DL NAC	311C CKE	312D KCD	312D RKF	E110B 9HF	
320S 6KM	325CL BTD	325 2JK	311C CLR	312D LPK	312DL SKA	E120B4XK	
325 5WK	325D CJM	325L 2SL	311C PAD	312D PHH	312DL TGY	E120B 6JF	
325 6RM	325D DAP	325L 7LJ	312 6GK	312D RHL	312DL XGK	E120B 7NF	
325 7TG	325D DBH"	325L 7LM	312 6TL	312D XJX	313B BAS	312	
325 8JG	325D GBP	325L 8NK	312 7DK	312D LCR 5PB	314C KJA	311 9LJ	
325 9SG	325D KDG	325L 8KL	312B 2NS	312D LCR BYJ	314C PCA	311B 2MS	
325 9ZK	325D PKE	325LN 2SK	312B 2PS	312D LCR SSZ	314C SNY	311C CKE	
325 9ZR	325D RJK	325LN 3LL	312B 3ES	312D LCR TXM	314D CR PDP	311C CLR	
325B 8PR	325DL A3R	312	312B 9HR	312D LCR XHR	314D CR WLN	312 6GK	
325BL 1GS	325DL ERK	311 5PK	312B 9NW	312D2 KLE	314E CR ECN	312B 2NS	
325BL 2JR	325DL GBR	311 9LJ	312BL	312D2 RXZ	314E LCR DKD	312DL KES	
325BL 6DN	325DL JCL	311B 2LS	312C	312D2L	314E LCR YCW		
325BL 7EN	325DL KBE	311B 2MS	312D DLP	312DL JBC	314E LCR ZJT		
DM45							INGERSOLL RAND
PC78MR-8							KOMATSU
KX121-2	KX121-2S		KX61-2		121-3	KUBOTA	
D245S							SANDVICK
SH60							SUMITOMO

COLD MILLING MACHINE

ASPHALT PAVER

EXCAVATOR

VIBRATORY HAMMER

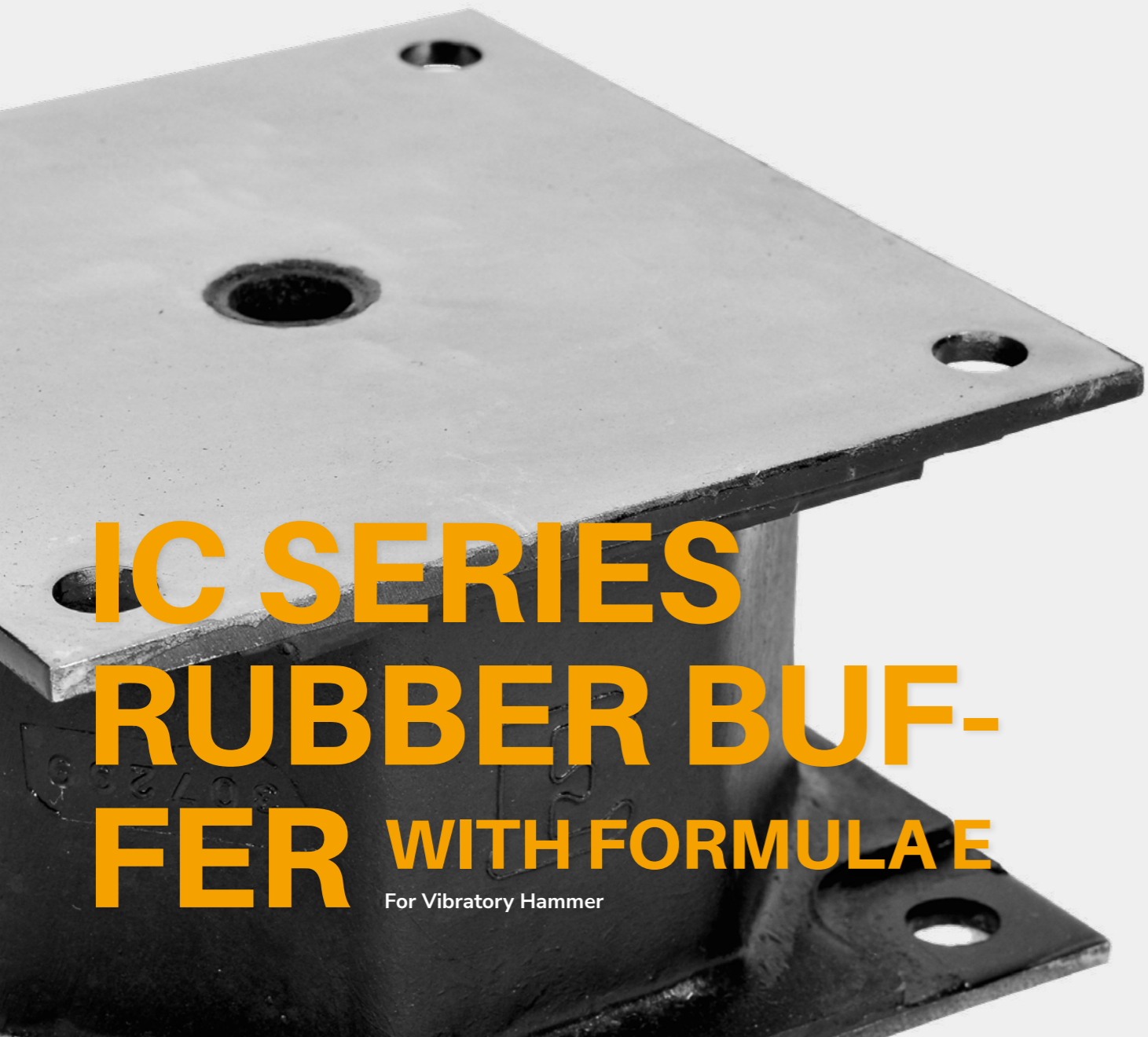
VIBRATORY ROLLER



# VIBRATORY HAMMER

Vibratory hammers are essential for deep foundation construction, helping to rapidly and effectively install piles that provide the strong foundations needed for all types of structures. To promote higher efficiency and less machine downtime, the EVERPADS Shock Absorption System developed the Formula E rubber buffer series that frees your vibro hammer's full potential for high driving and extracting force.





# IC SERIES RUBBER BUFFER WITH FORMULA E

For Vibratory Hammer

## IC SERIES RUBBER BUFFER WITH FORMULA E

The weakest link of a vibratory hammer is often the rubber buffer. The EVERPADS Formula E IC-series rubber buffer lets vibratory hammers operate in deep foundation constructions and compactors with high frequency. The EVERPADS Formula E technology controls the rubber temperature, significantly slowing down the rubber aging speed and effectively extending the service life 3-4 times, with these features:

- Formula E- Anti-aging
- High Resistance Rubber Compound
- Durable Steel Plate



See our Formula E Rubber Buffer Catalogue for More Details.

# IC SERIES RUBBER BUFFER WITH FORMULA E

For Vibratory Hammer



View more about our IC series rubber buffer with formula E technology here.



Name	Maker	
IC0101 Series	ALLIED	PVE
	ALLPACKS	STANLEY
	HMC	DEHACO
	MOVAX	INDECO
	HMC	YUNG AN
	HUDCO	VIBRATION (pile hammer)
	KENT	MGF
	KENGURU	CAT
	MKT	WAYS
	NPK	EUROTEC
IC0501 Series	APE	APE (pile hammer)
	MGF	PTC
	PVE	MULLER
IC0601 Series	PVE	PTC
IC0801 Series	BOMAG	-
IC1301 Series	HUDCO	CAT

COLD MILLING MACHINE

ASPHALT PAVER

EXCAVATOR

VIBRATORY HAMMER

VIBRATORY ROLLER



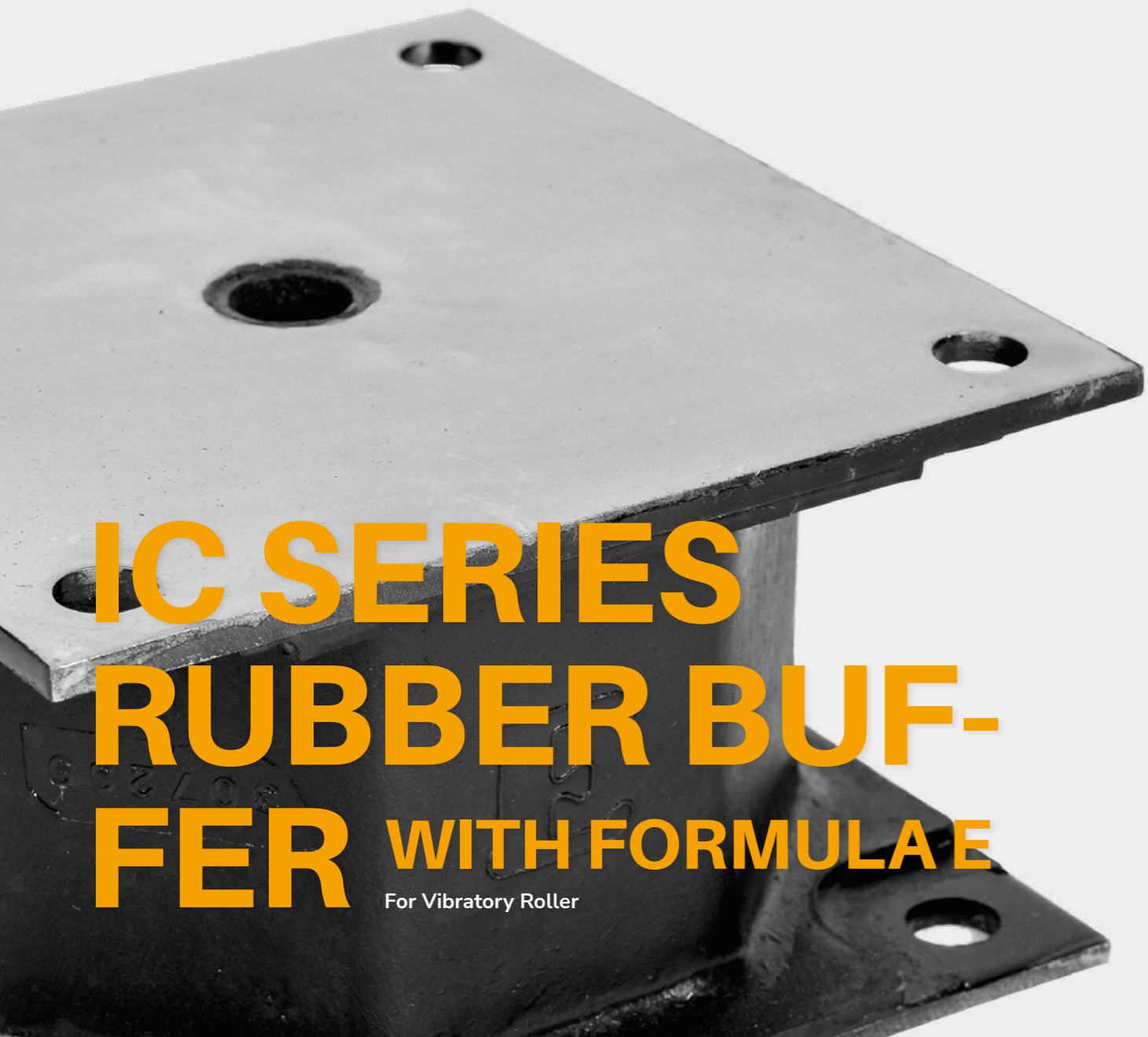
# VIBRATORY ROLLER

The EVERPADS Vibratory Roller creates a smoother final surface layer, reducing equipment bouncing while traveling along the road or highway.

The EVERPADS IC Series Rubber Buffer is a revolutionary innovation that helps vibratory rollers achieve maximum efficiency. Its unique rubber compound effectively absorbs the shock and vibration generated by the roller, reducing wear and tear on parts and resulting in smoother operation and longer machine life.







# IC SERIES RUBBER BUFFER WITH FORMULA E

For Vibratory Roller

## IC SERIES RUBBER BUFFER WITH FORMULA E

A key challenge for vibratory rollers is keeping stable temperatures during the compaction process. The EVERPADS Formula E Rubber Buffer manages temperatures from vibration during the drum rotations and, as a result, lowers maintenance costs in the long term.

See our Formula E Rubber Buffer Catalogue for More Details.



# IC SERIES RUBBER BUFFER WITH FORMULA E

For Vibratory Roller



View more about our IC series rubber buffer with formula E technology here.



Name	Maker		
IC0101 Series	AMMANN	CAT	KAWASAKI
	BITELLI	DYNAPAC	KOMAC
	BOMAG	INGERSOLL-RAND	KOMATSU
	VOLVO	XCMG	-
IC0201 Series	AMMANN	KAWASAKI	SUMITOMO
	BOMAG	KOMATSU	TACOM
	CASE	L&T	VIBROMAX
	DYNAPAC	MIKASA	VOLVO
	HAMM	PROTEC BOXER	ZHONG DA
IC0301 Series	INGERSOLL-RAND	SAKAI	KETAI
	ABG	BOMAG	HERTZ
	ABG (I-R)	DYNAPAC	HYPAC
	AMMANN	HAMM	SANY
IC0401 Series	ZOOMLION	-	-
	BOMAG	DYNAPAC	-
IC0501 Series	BOMAG	YUNG AN	-
IC0601 Series	INGERSOLL-RAND	VOLVO	SAKAI
IC0701 Series	SAKAI	DYNAPAC	-
IC0801 Series	AMMANN	BOMAG	HAMM
	BITELLI	CAT	RAMMAX
	SAKAI	-	-

COLD MILLING MACHINE

ASPHALT PAVER

EXCAVATOR

VIBRATORY HAMMER

VIBRATORY ROLLER



**HEADQUARTER** EVERPADS CO., LTD.

---

**Tel.** +886 4 2358 2531/2000  
**Fax.** +886 2358 9090  
**Add.** No.83,32nd Road, Taichung  
Industrial Park, Taichung,  
40768,Taiwan ROC  
**Email.** [service@everpads.com](mailto:service@everpads.com)

---

**USA BRANCH** EVERPADS INC.

---

**Tel.** +1 215 420 7086 (toll free)  
**Fax.** +1 888 928 7237 (toll free)  
**Add.** 320 Constance Dr,Suite 5  
Warminster, PA 18974  
**Email.** [america@everpads.com](mailto:america@everpads.com)

---

**EUROPE BRANCH** EVERPADS B.V.

---

**Tel.** +31 10 415 7820  
**Fax.** +31 10 415 6414  
**Add.** Calandstraat 81,  
3125BA,Schiedam,  
the Netherlands  
**Email.** [everpads.bv@everpads.com](mailto:everpads.bv@everpads.com)

---

